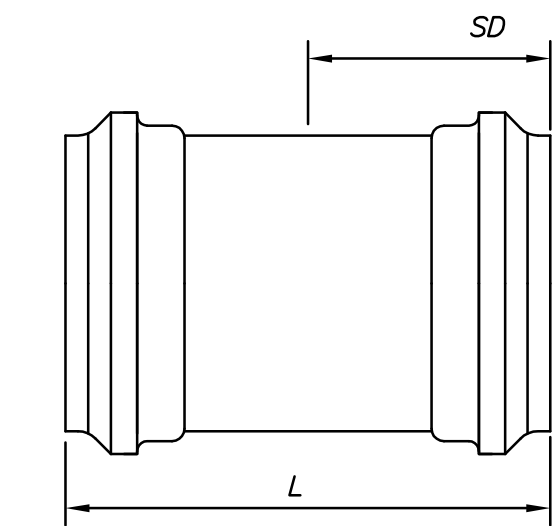


REPAIR COUPLING SDR35 GxG



SIZE	PART	SD	L
4"	106-0004	2.63	5.25
6"	106-0006	4.00	8.00
8"	106-0008	4.63	9.25

*Molded fitting, all others are fabricated.

APPROVED CASTINGS		
HEIGHT	EJW	NEENAH FOUNDRY
9"	1051-1	R-1713
7"	1050-21	R-1772
4"	1037	R-1647

MANHOLE CONSTRUCTION & MATERIALS NOTES

MANHOLE LIDS SHALL BE CAST WITH APPROPRIATE LABEL FOR SEWER TYPE 'SANITARY' FOR SANITARY SEWERS & 'STORM' FOR STORM SEWERS

NO STEPS SHALL BE INSTALLED
SANITARY APPLICATIONS SHALL CONSIST OF A ONE PIECE PRE-CAST BASE & RISER

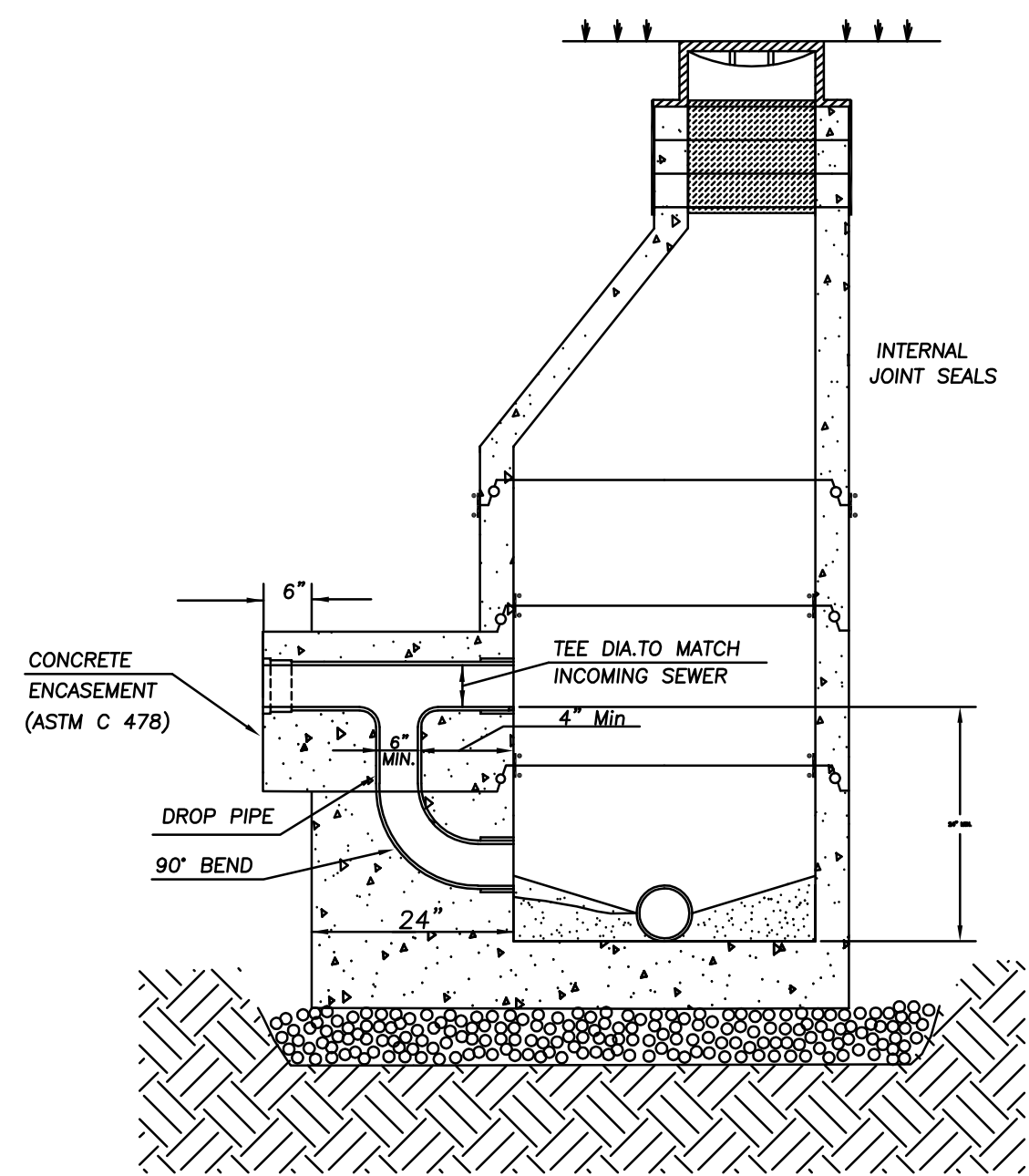
SANITARY MANHOLE SECTIONS SHALL CONFORM TO ASTM DESIGNATION C-478 AND JOINTS BETWEEN THE SECTIONS SHALL CONFORM TO ASTM DESIGNATION C-443

FLEXIBLE CONNECTOR TO BE USED BETWEEN KOR-N-SEAL, PRESS SEAL GASKET, NATIONAL POLLUTION CONTROL SYSTEMS, A-LOK PRODUCTS CORPORATION, OR APPROVED EQUAL

MANHOLES SHALL BE VACUUM TESTED AT NO LESS THAN 10 INCHES OF MERCURY

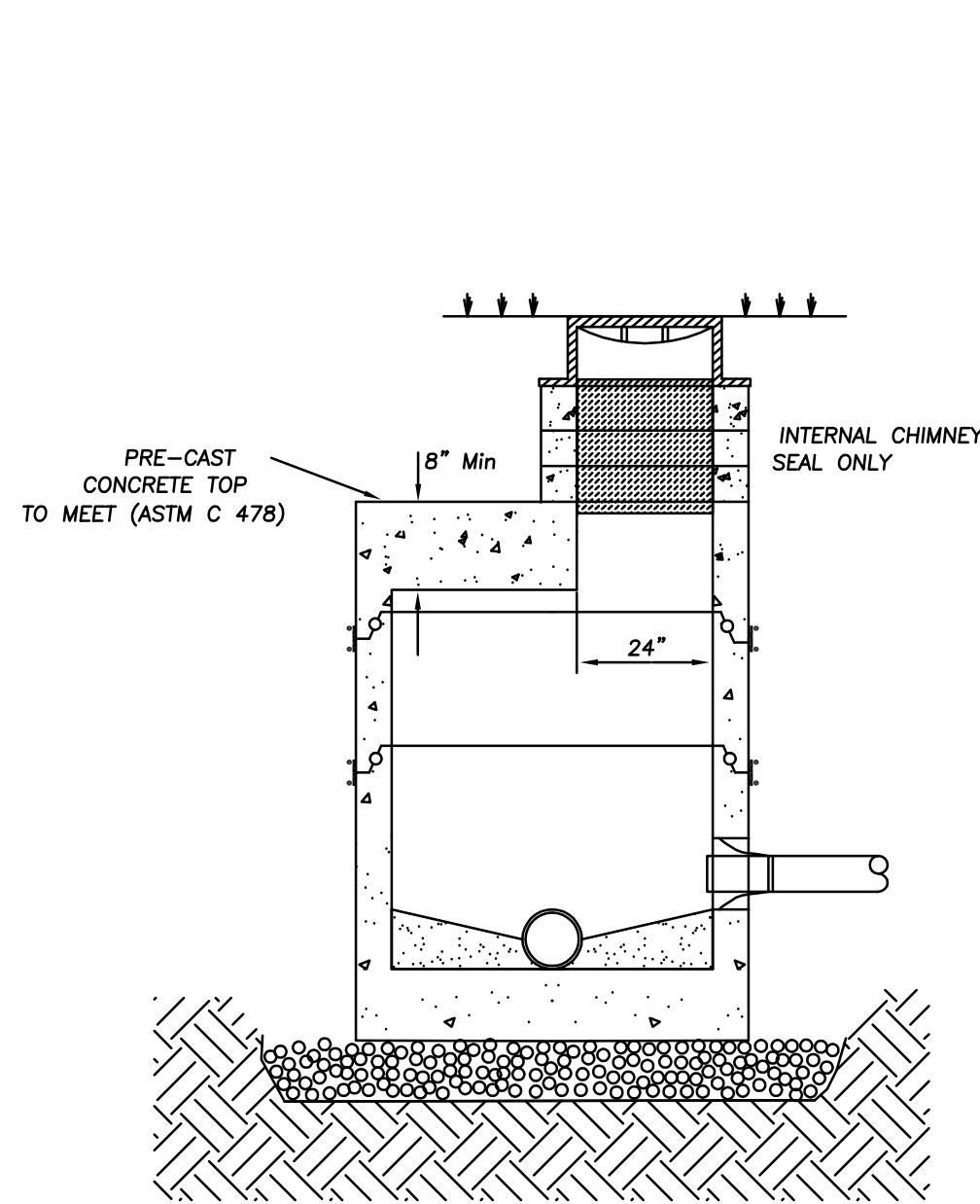
TYPICAL DROP MANHOLE TYPE "D" M.H. (4'Dia) TYPE "E" M.H. (5'Dia)

NOTE: ALL FEATURES OF THE STANDARD (TYPE A) MANHOLE APPLY UNLESS OTHERWISE NOTED.

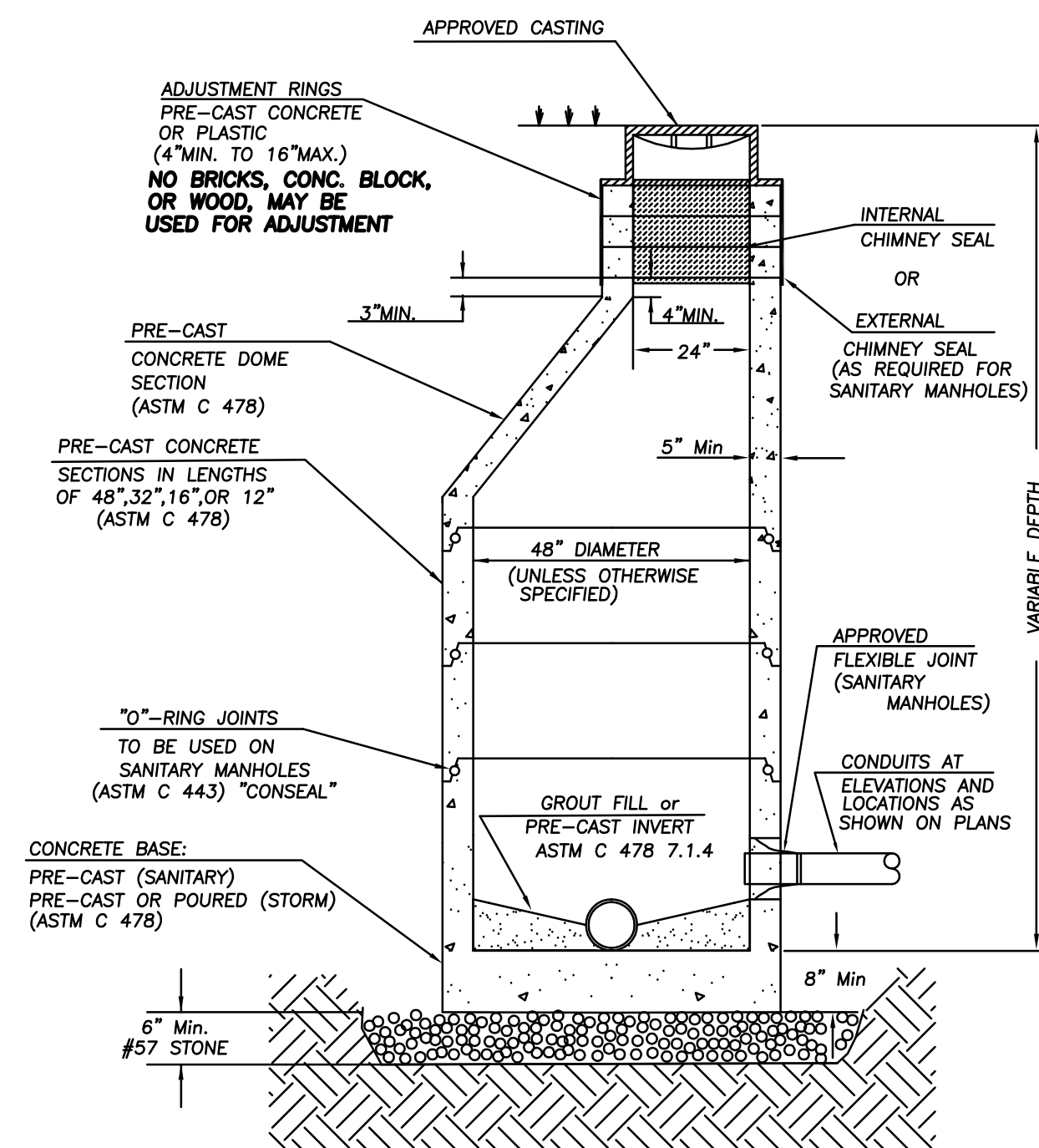


TYPICAL FLAT-TOP MANHOLE TYPE "G" M.H. (4'Dia) TYPE "H" M.H. (5'Dia) TYPE "H-6" M.H. (6'Dia) TYPE "H-7" M.H. (7'Dia)

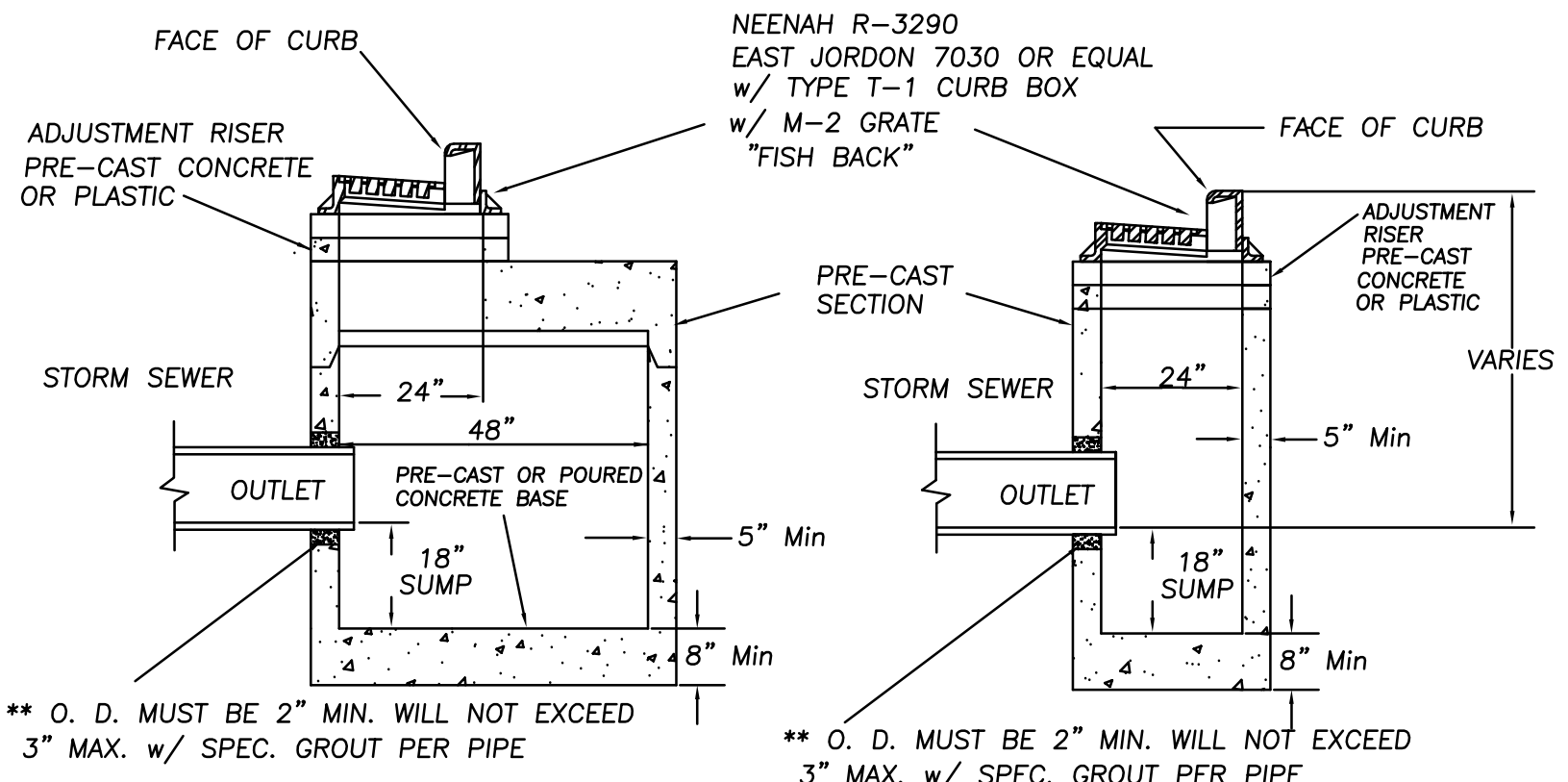
NOTE: ALL FEATURES OF THE STANDARD (TYPE A) MANHOLE APPLY UNLESS OTHERWISE NOTED.



STANDARD PRE-CAST MANHOLE TYPE "A" M.H. (4'Dia) TYPE "B" M.H. (5'Dia) TYPE "B-6" M.H. (6'Dia) TYPE "B-7" M.H. (7'Dia)



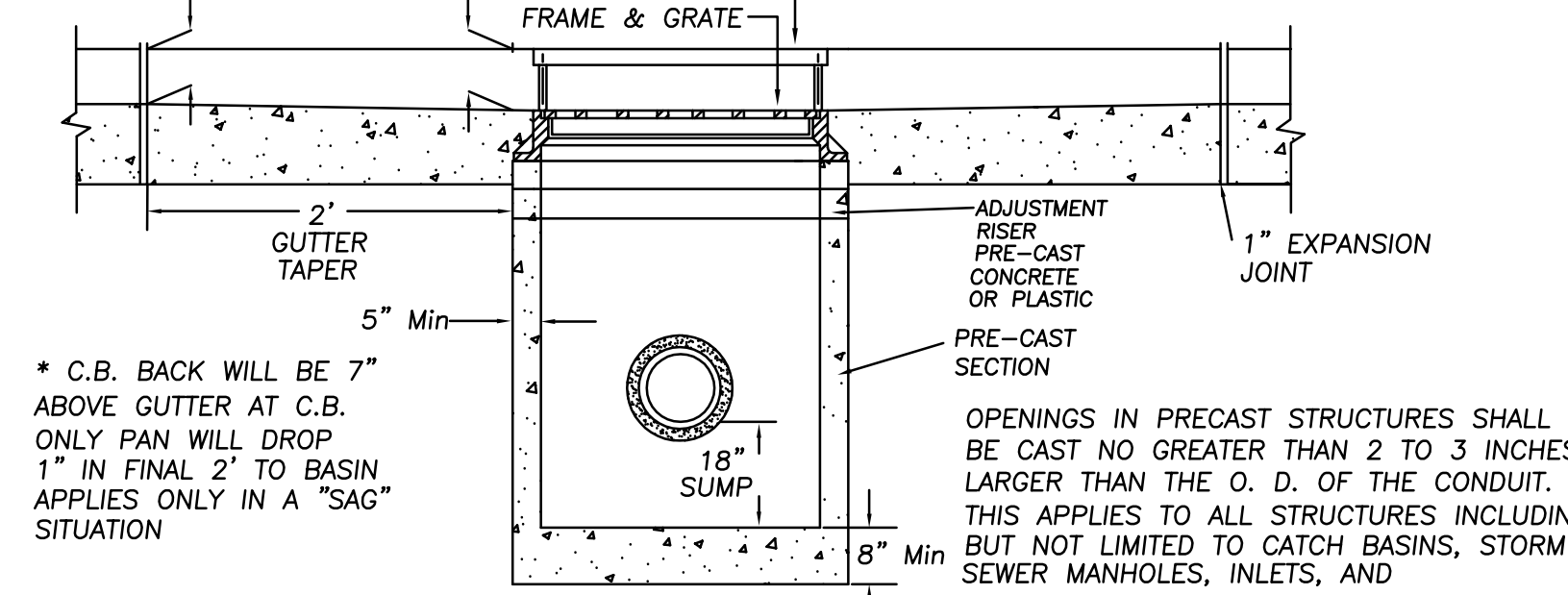
TYPICAL CATCH BASINS



TYPE "A" C.B. (4'DIA)

TYPE "B" C.B. CURB - 3'x2' TYPE "C" C.B. FLAT TOP - 2'x2'

CASTING SHALL BE EAST JORDAN 5250, NEENAH R-3405 OR EQUAL FOR TYPE 'C' BASIN



INLETS SHALL BE CONSTRUCTED THE SAME AS CATCH BASINS (TYPES A, B & C) EXCEPT THERE SHALL BE NO SUMP

** CONTRACTOR SHALL COORDINATE OPENING SIZE IN CATCH BASINS WITH STORM SEWER MATERIALS.

WATERLINE CONSTRUCTION & MATERIALS NOTES

6" UP TO 16" I.D. SHALL REQUIRE CLASS 52 PUSH-ON JOINT PIPE AND 2 - BRASS WEDGES AT EVERY JOINT

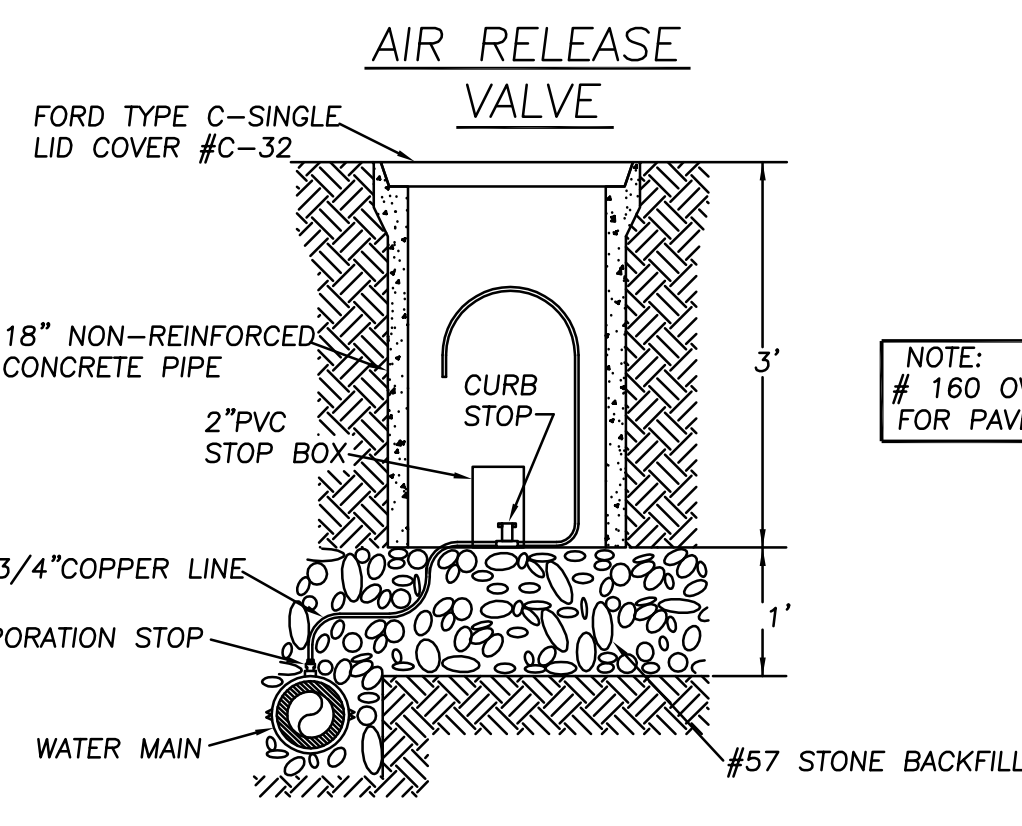
16" AND LARGER I.D. SHALL REQUIRE CLASS 350 PRESSURE PIPE OR CLASS 52 PIPE AND 4 - BRASS WEDGES AT EVERY JOINT

ALL VALVES SHALL BE 'RED' NUT (CLOCKWISE TO OPEN)

ALL GATE VALVES SHALL MEET ANSI/AWWA C-509-94 STANDARDS, OR LATEST REVISION

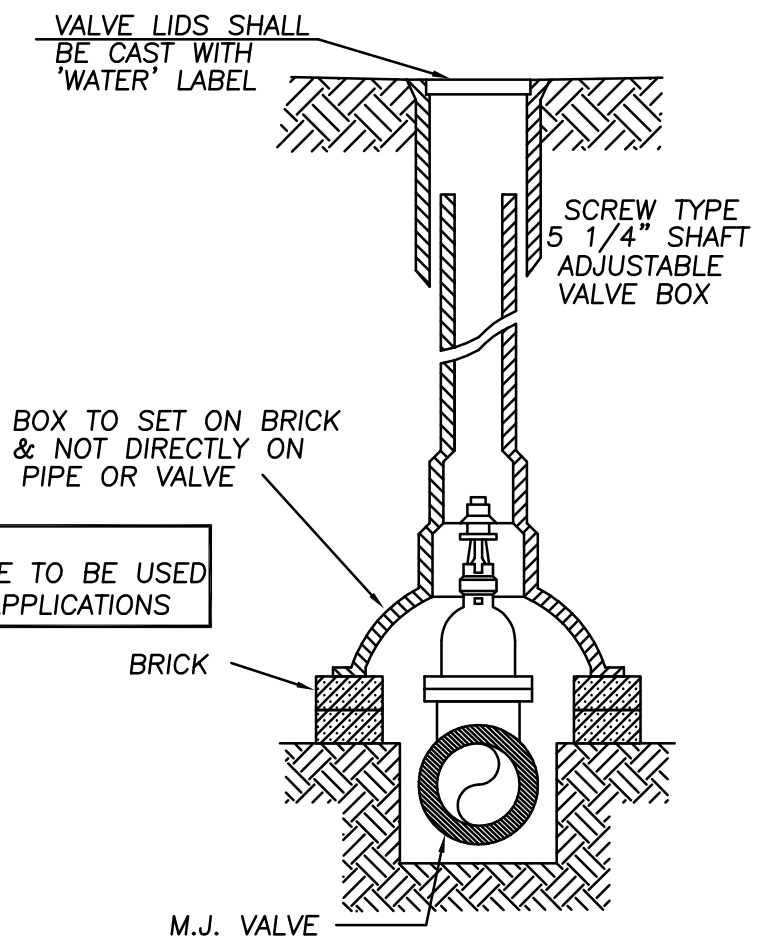
ALL BUTTERFLY VALVES SHALL MEET AWWA C-504 STANDARDS OR LATEST REVISION AND SHALL BE MANUFACTURED BY MUELLER, DE ZURIK, AMERICAN-DARLING OR EQUAL

ALL WATERLINE INSTALLATION REQUIRES THE INSTALLATION OF POLYETHYLENE ENCASEMENT AND ELECTRICAL CONTINUITY STRAPS, AS DETAILED IN THE CITY OF FINDLAY STANDARD WATER MAIN SPECIFICATIONS, MOST RECENT VERSION.

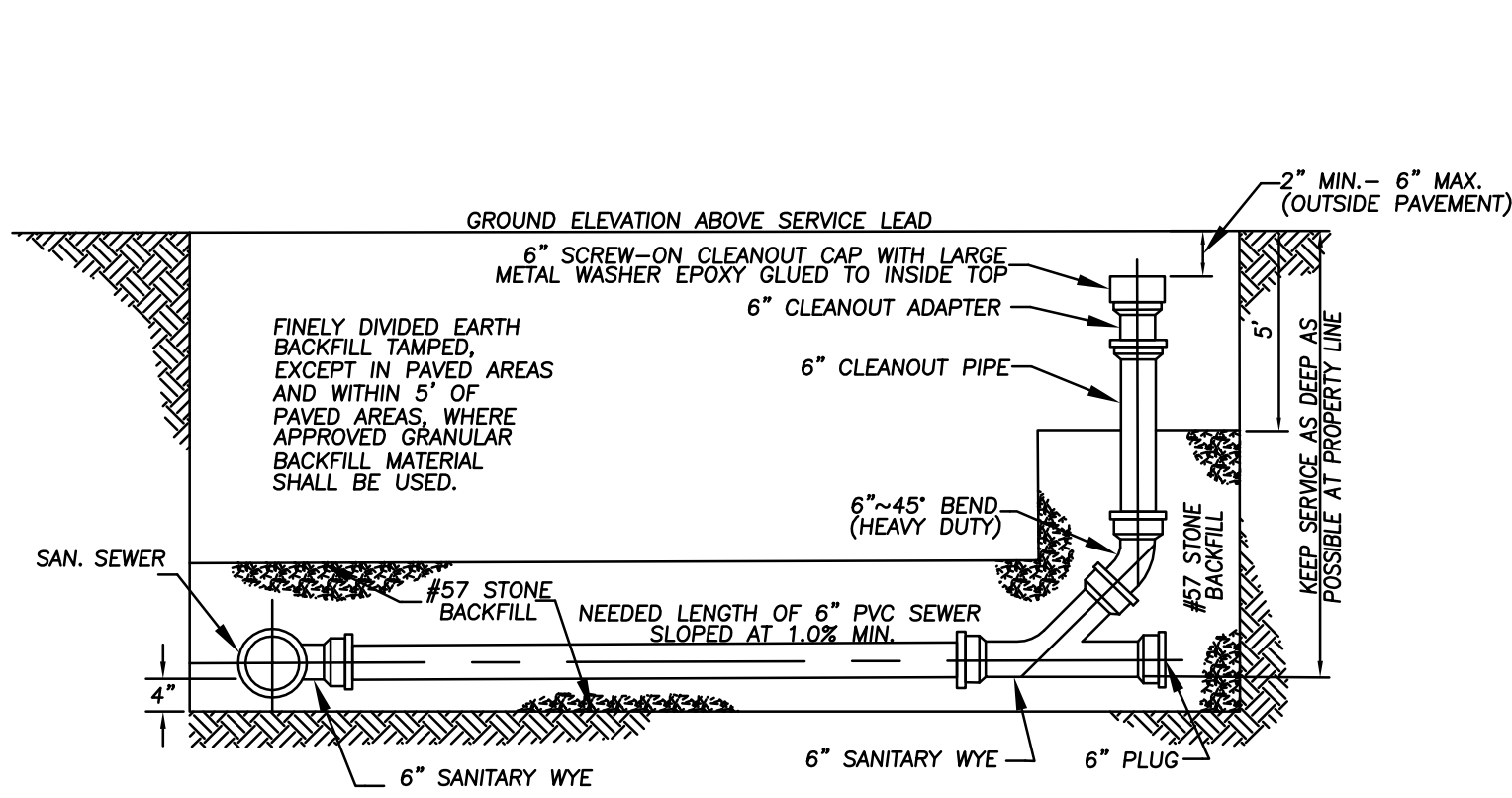
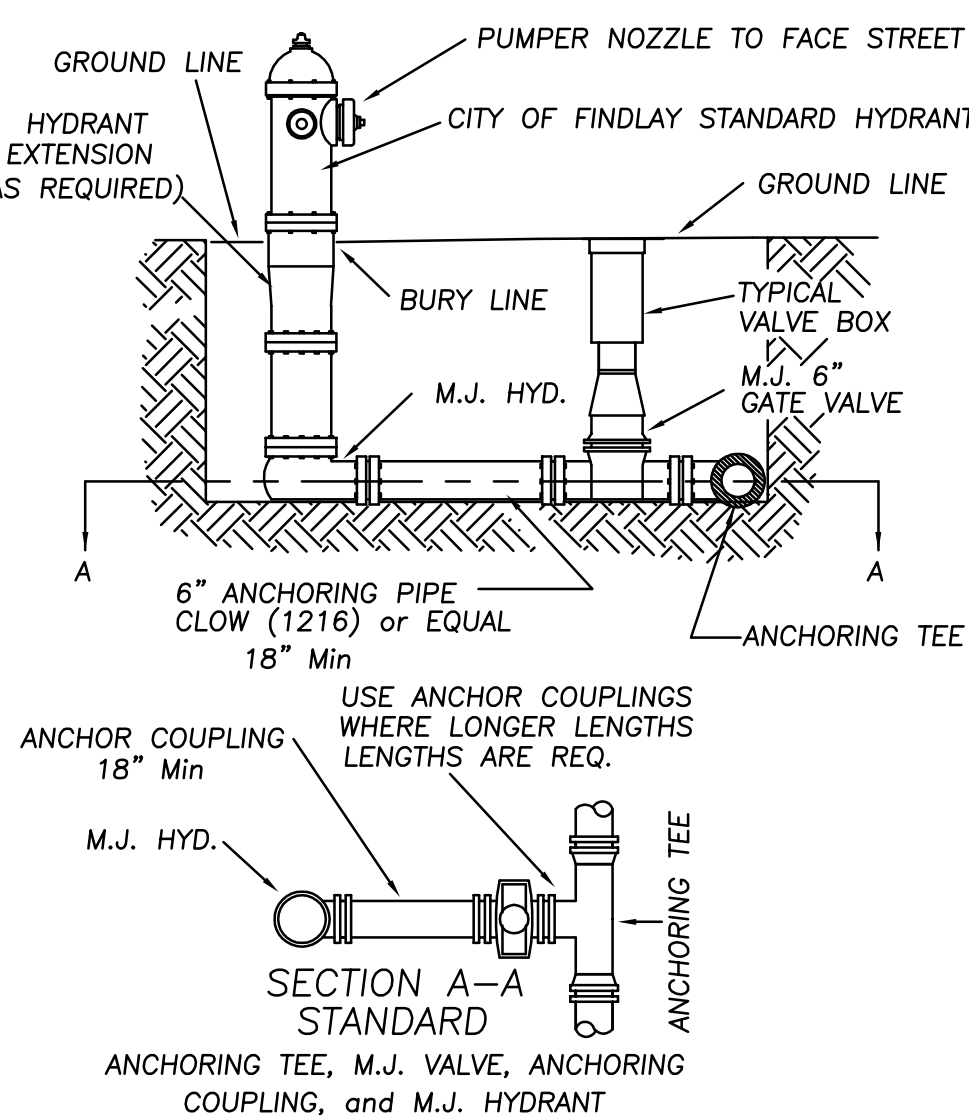


NOTE: #160 OVAL BASE TO BE USED FOR PAVEMENT APPLICATIONS

TYPICAL VALVE SETTING



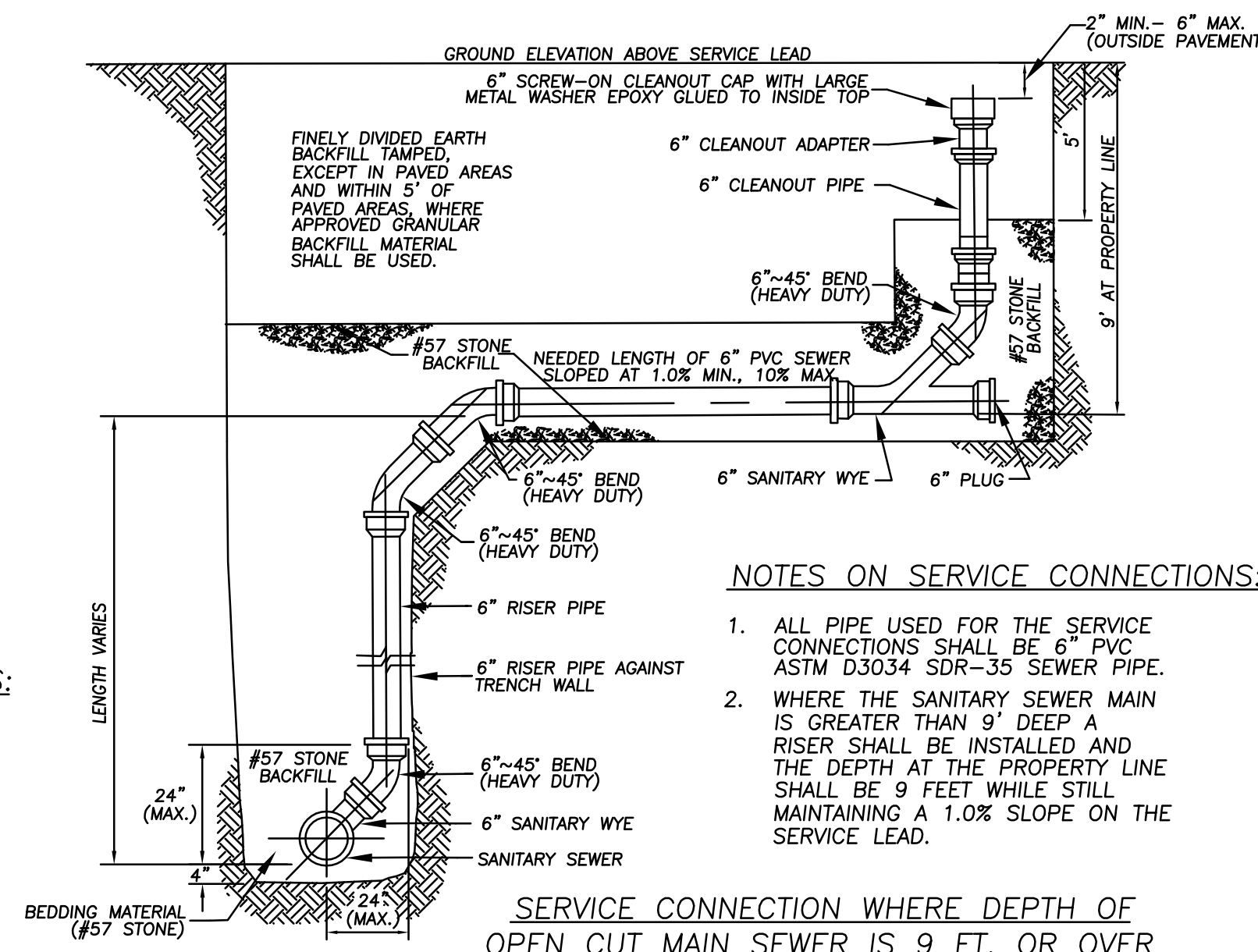
TYPICAL HYDRANT SETTINGS



SERVICE CONNECTION WHERE DEPTH OF OPEN CUT MAIN SEWER IS 9 FT. OR LESS TYPE 1

NOTES ON SERVICE CONNECTIONS:

- ALL PIPE USED FOR THE SERVICE CONNECTIONS SHALL BE 6" PVC ASTM D3034 SDR-35 SEWER PIPE.
- WHERE THE SANITARY SEWER MAIN IS LESS THAN 9' DEEP NO RISER SHALL BE INSTALLED AND THE DEPTH AT THE PROPERTY LINE SHALL BE 9 FEET OR AS DEEP AS POSSIBLE WHILE STILL MAINTAINING A 1.0% SLOPE ON THE SERVICE LEAD.

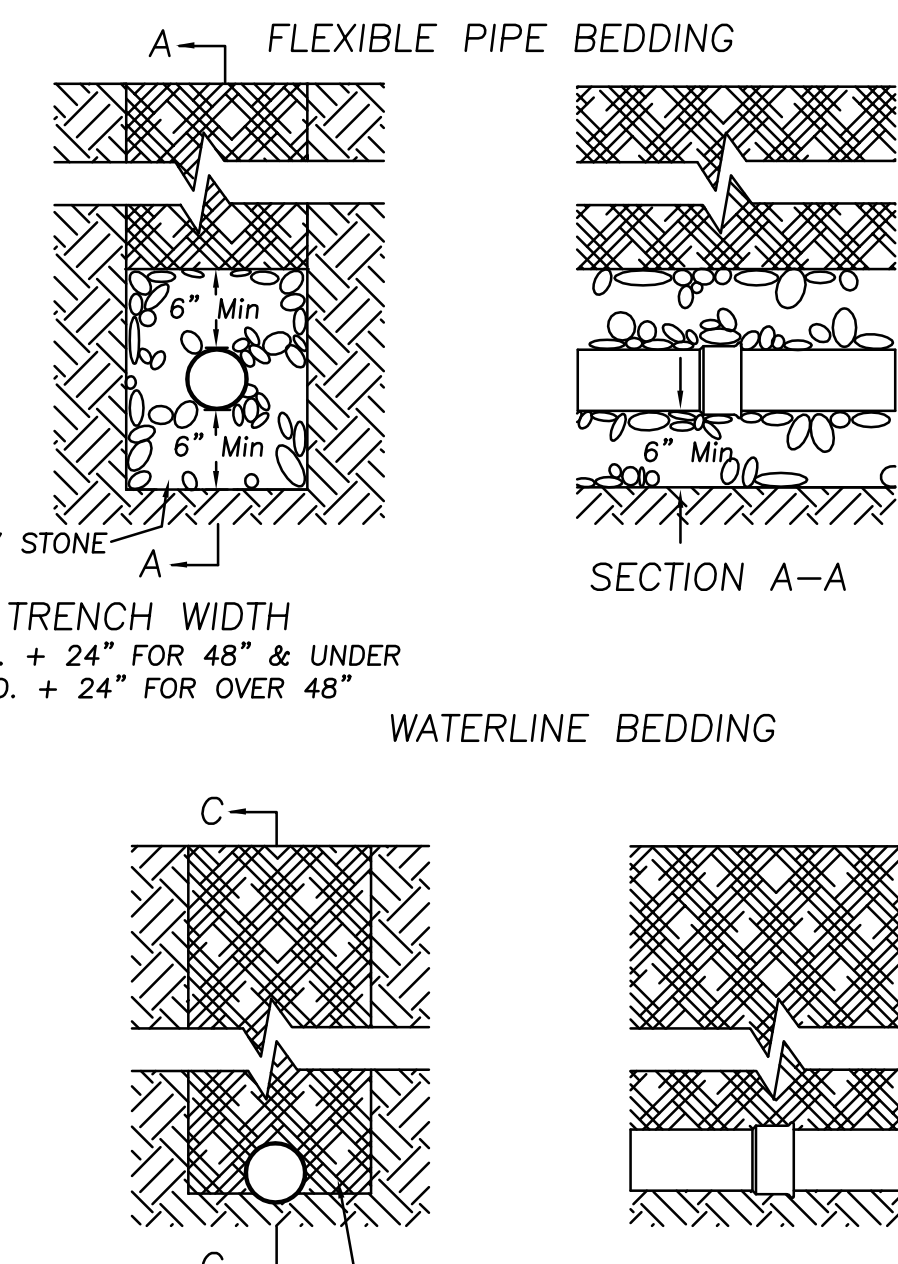


SERVICE CONNECTION WHERE DEPTH OF OPEN CUT MAIN SEWER IS 9 FT. OR OVER TYPE 2

NOTES ON SERVICE CONNECTIONS:

- ALL PIPE USED FOR THE SERVICE CONNECTIONS SHALL BE 6" PVC ASTM D3034 SDR-35 SEWER PIPE.
- WHERE THE SANITARY SEWER MAIN IS GREATER THAN 9' DEEP A RISER SHALL BE INSTALLED AND THE DEPTH AT THE PROPERTY LINE SHALL BE 9 FEET WHILE STILL MAINTAINING A 1.0% SLOPE ON THE SERVICE LEAD.

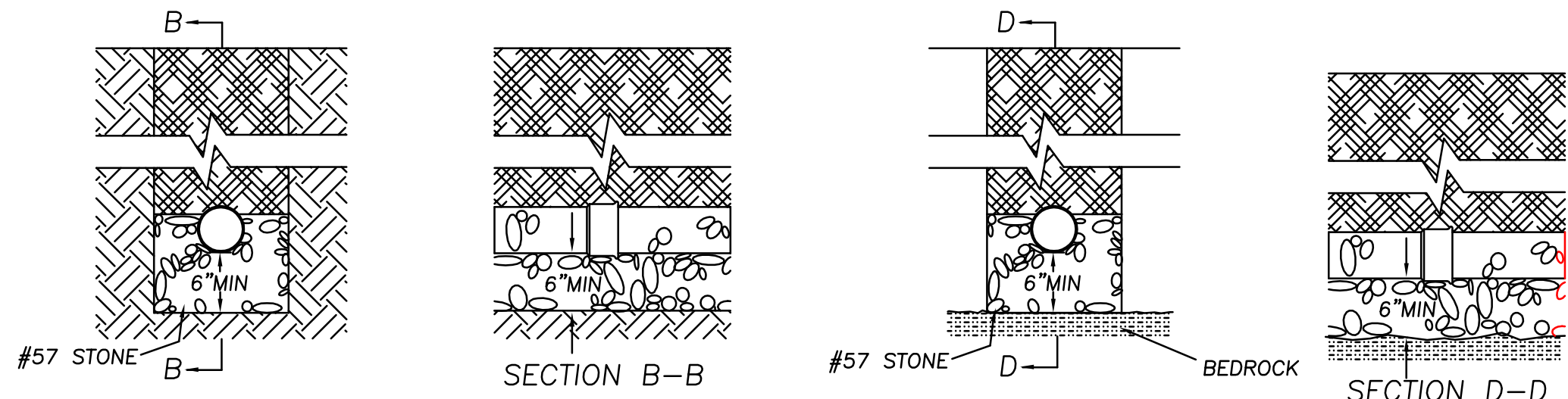
METHODS OF BEDDING



ALL BACKFILL SHALL COMPLY WITH O.D.O.T. ITEM 603.08

SELECT BACKFILL MATERIAL FREE FROM DEBRIS, ORGANIC MATERIAL AND STONE (TYP.)

RIGID PIPE BEDDING THE BEDDING SHALL EXTEND UP AROUND THE PIPE FOR A DEPTH OF NOT LESS THAN 30 PERCENT OF ITS OUTSIDE DIAMETER OR RISE; SHALL BE SHAPED TO FIT THE CONDUIT FOR AT LEAST 10 PERCENT OF THE OUTSIDE DIAMETER OR RISE OF THE CONDUIT; AND SHALL HAVE RECESSES SHAPED TO RECEIVE THE BELL OF BELL AND SPIGOT PIPE.



DESCRIPTION: REVISED CURB RAMPS REVISED CURB RAMPS ODOT UPDATES REVISED BY: CFS ADD: EJM 10/30/21 REVISED SERVICE CONNECTION DETAILS 4/28/09 CFS

REVISED: 3-21-03 REVISED BY: CFS REVIEWED BY: BDC

CITY OF FINDLAY, OHIO STANDARD DETAIL SHEET 2 OF 2

DATE: 03/21/03 DWG: RFE CHK: PMA SCALE: NONE SHEET:

CITY OF FINDLAY ENGINEERING DEPARTMENT

